

---

## **PRODUCT MANUAL**

### **List of Effective Pages**

**Date of issue for original and changed pages**

Original	971121	Change 6	.....
Change 1	.....	Change 7	.....
Change 2	.....	Change 8	.....
Change 3	.....	Change 9	.....
Change 4	.....	Change 10	.....
Change 5	.....	Change 11	.....

**Total number of pages including the latest changes:** 29

**Pages changed upto this release:**

Page no.	Figure no.	Change no.
----------	------------	------------

## Table of Contents

## Innehållsförteckning

		<b>Page No</b>
<b>1</b>	<b>Introduction</b>	
1.1	General description	3
<b>2</b>	<b>2.1-2.13 Complete Cabinets</b>	4 - 10
<b>3</b>	<b>3.1-3.17 Accessories</b>	11 - 17
<b>4</b>	<b>4.1-4.28 Parts</b>	18 - 27
<b>5</b>	<b>Dimensions</b>	28
<b>6</b>	<b>Part list</b>	28 - 29

# Workshop Cabinets

## Lock 5, 10, 16 and 20

### Section 1

### General description

1.1

Workshop cabinets model Lock 5, 10, 16 and 20 have been developed to meet the highest demands for practical as well as economical storage for workstations and machines.

No need for special tools when erecting the cabinet. Only a few accessories require attachment with screws. The fundamental design is based on a construction with no nuts or bolts. The sheet steel has hooked or sliding edges. When assembly the sections these are folded together, forming a complete unite.

The cabinet is packed and delivered knocked down in cartons. This save storage space and make handling all along the distribution chain simple and economical. Low shipping costs and non complicated assembly make the cabinets highly competitive.

An easy understandable assembly instruction is enclosed every cabinet.

Several accessories can be added to the basic models. A bottom frame for either castors or adjustable feet can be a practical accessory. Moreover perforated wall panels can be added to Lock 16 and 20. More useful accessories are adapted from the shelving system S 90 and HI 280.

The cabinets are painted in grey (RAL 9002) with blue doors (NCS 6020-B10G) in structured powder paint.

The different parts of the cabinets are described in drawings in this manual. In connection with part numbers are measurements described in nominal figures, referring to the width and depth of the shelves. Designs are detailed in the following itemised manual. Together with the given part number the measurements are nominal and refer to the shelf width and depth. For a closer study please look in to the product manuals of shelving system S90 and HI 280.

# Workshop Cabinets

## Lock 5, 10, 16 and 20



### Section 2

### Complete Cabinets

**Workshop Cabinet Lock 5**

2.1

Part no. 4440719-00

**legend:**

- 4.1 Side panel
- 4.2 Back panel
- 4.3 Top
- 4.4 Frame
- 4.6 Expansion slide
- 4.8 Drawer
- 4.7 Drawer mounting
- 4.9 Console
- 4.10 Shelf
- 4.14 Door right

**legend:**

**Workshop Cabinet Lock 5 B**

2.2

Part no. 4507589-21

**consists of:**

2.1 Workshop Cabinet Lock 5	4440719-00	1 pcs
4.10 Shelf	4440701-00	1 pcs
3.10 Shelf divider high 200 x 500	4440566-08	2 pcs
	4440566-10	1 pcs
3.10 Shelf divider high 300 x 500	661420	3 pcs
	4440717-01	1 pcs
3.11 Shelf divider low 90 x 500	4440717-02	1 pcs
4.9 Console left	4440690-01	1 pcs
4.9 Console right		
3.9 Frame with castors		

**legend:**

# Workshop Cabinets

Lock 5, 10, 16 and 20

---



# Workshop Cabinets

## Lock 5, 10, 16 and 20

### Workshop Cabinet Lock 5 C

2.3



Part no. 4507589-22

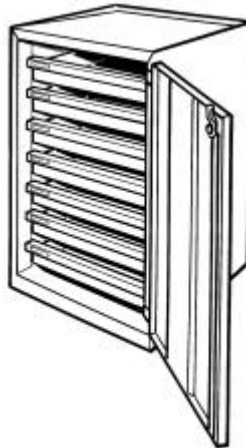
**consists of :**

2.1 Workshop Cabinet Lock 5	4440719-00	1 pcs
3.15 Modular Bin	K2-	2 pcs
	9069750656	

**consists of:**

### Workshop Cabinet Lock 5 D

2.4



Part no. 4507589-23

**consists of:**

2.1 Workshop Cabinet Lock 5	4440719-00	1 pcs
3.1 Set of drawers Lock 5-10	4440721-00	3 pcs

**consists of:**

# Workshop Cabinets

Lock 5, 10, 16 and 20

---



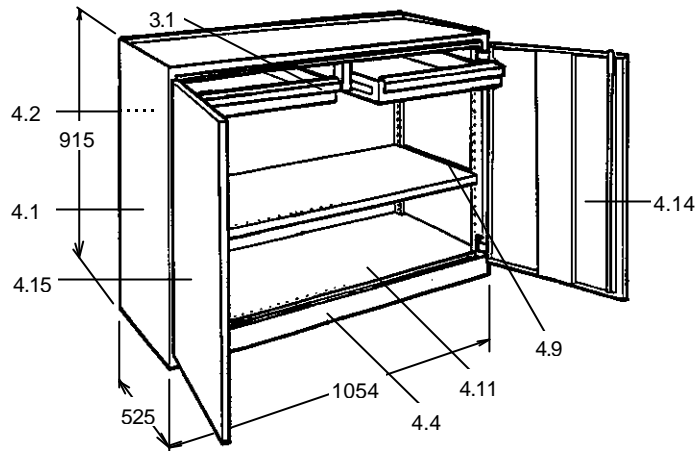
# Workshop Cabinets

## Lock 5, 10, 16 and 20



### Workshop Cabinet Lock 10 A

2.5



Part no. 4507589-24

**Consists of:**

2.5 Workshop Cabinet Lock 10	4440720-00	1 pcs
3.1 Set of drawers Lock 5-10	4440721-00	1 pcs

**legend:**

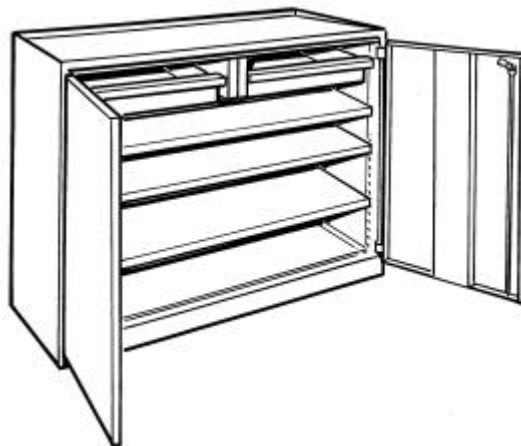
- 4.1 Side panel
- 4.2 Back panel
- 4.3 Top
- 4.4 Frame
- 3.1 Set of drawers Lock 5-10
- 4.9 Console
- 4.11 Shelf
- 4.14 Door right
- 4.15 Door left

**Consists of:**

**legend:**

### Workshop Cabinet Lock 10 B

2.6



Part no. 4507589-25

**Consists of:**

2.5 Workshop Cabinet Lock 10	4440720-00	1 pcs
3.1 Set of drawers Lock 5-10	4440721-00	1 pcs
4.11 Shelf	660361	2 pcs
4.9 Console left	4440717-01	2 pcs
4.9 Console right	4440717-02	2 pcs

**Consists of:**

# Workshop Cabinets

Lock 5, 10, 16 and 20

---

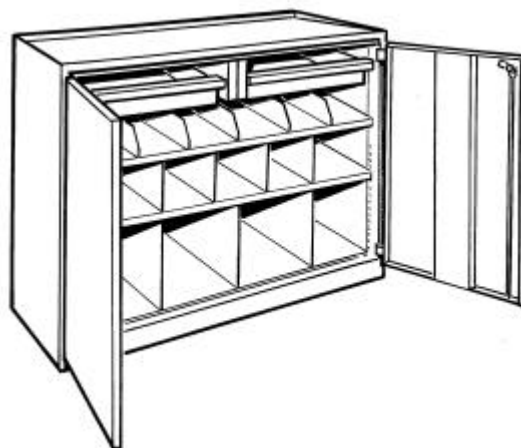


# Workshop Cabinets

## Lock 5, 10, 16 and 20

### Workshop Cabinet Lock 10 C

2.7



Part no. 4507589-26

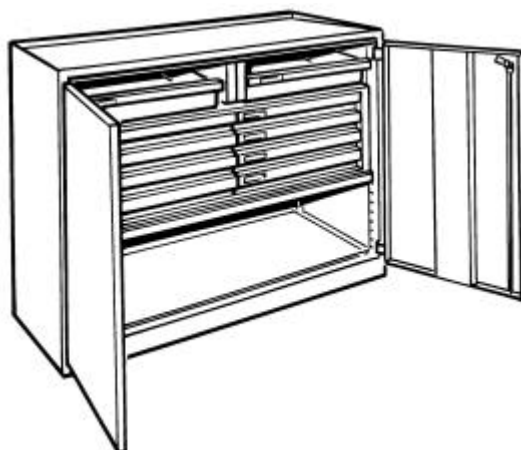
**Consists of:**

2.5	Workshop Cabinet Lock 10	4440720-00	1 pcs
3.1	Set of drawers Lock 5-10	4440721-00	1 pcs
4.11	Shelf 1000 x 500	660361	1 pcs
4.9	Console left	4440717-01	1 pcs
4.9	Console right	4440717-02	1 pcs
3.10	Shelf divider high 300 x 500	4440566-10	3 pcs
		4440566-08	4 pcs
3.10	Shelf divider high 200 x 500	661422	5 pcs
3.11	Shelf divider low 90 x 500		

**Consists of:**

### Workshop Cabinet Lock 10 D

2.8



Part no. 4507589-27

**Consists of:**

2.5	Workshop Cabinet Lock 10	4440720-00	1 pcs
3.1	Set of drawers Lock 5-10	4440721-00	1 pcs
3.12	Drawer nest Type 8	4406006-00	1 pcs

**Consists of:**

# Workshop Cabinets

Lock 5, 10, 16 and 20

---



# Workshop Cabinets

## Lock 5, 10, 16 and 20



### Workshop Cabinet Lock 10 E

2.9



Part no. 4507589-28

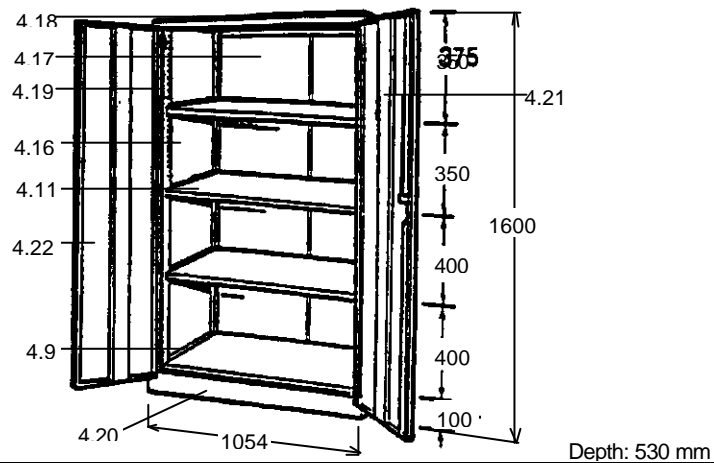
**Consists of:**

2.5 Workshop Cabinet Lock 10	4440720-00	1 pcs
3.1 Set of drawers Lock 5-10	4440721-00	1 pcs
3.9 Frame with castors	4440690-02	1 pcs
---- Screw MSCS 6x12	7232366-31	2 pcs
---- Nut M6M 6	7312316-01	2 pcs

**Consists of:**

### Workshop Cabinet Lock 16

2.10



Part no. 4440718-00

**legend:**

- 4.16 Side panel
- 4.17 Back panel
- 4.18 Top
- 4.19 Frame
- 4.9 Console
- 4.11 Shelf
- 4.20 Base
- 4.21 Door right
- 4.22 Door left

**legend:**

# Workshop Cabinets

## Lock 5, 10, 16 and 20



<b>Workshop Cabinet Lock 20</b>	
2.11	
Part no. 4440635-00	Depth: 530 mm
<b>legend:</b> 4.16 Side panel 4.17 Back panel 4.18 Top 4.19 Frame 4.9 Console 4.11 Shelf 4.20 Base 4.21 Door right 4.22 Door left	<b>legend:</b>

<b>Workshop Cabinet Lock 20 B</b>	
2.12	
Part no. 4507589-29	
<b>Consists of:</b> 2.11 Workshop Cabinet Lock 20    4440635-00    1 pcs 3.2 Set of accessories Lock 20 B    4440687-00    1 pcs	<b>Consists of:</b>

# Workshop Cabinets

Lock 5, 10, 16 and 20

---



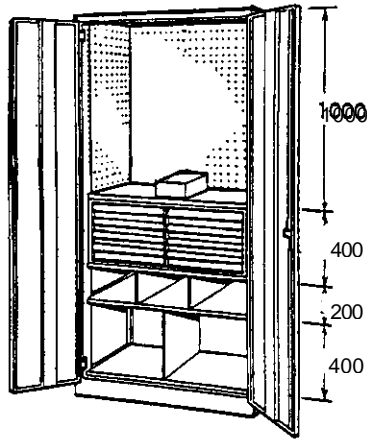
# Workshop Cabinets

## Lock 5, 10, 16 and 20



### Workshop Cabinet Lock 20 C

2.13



Part no. 4507589-30

**Consists of:**

- 2.11 Workshop Cabinet Lock 20    4440635-00   1 pcs
- 3.3 Set of accessories Lock 20 C   4440716-00   1 pcs

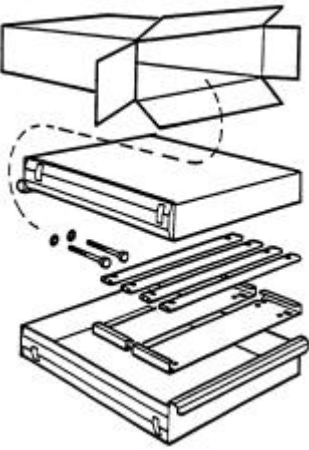
**Consists of:**

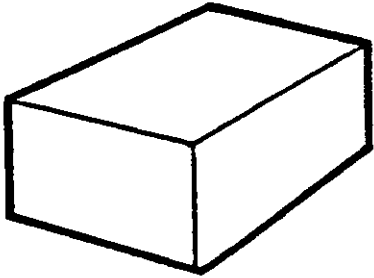
# Workshop Cabinets

## Lock 5, 10, 16 and 20

### Section 3

### Accessories

<b>Set of drawers Lock 5 - 10</b>		
3.1		
		
Part no. 4440721-00		
<b>Consists of:</b>		<b>legend:</b>
4.8 Drawer	4405648-01	2 pcs
4.6 Extension slide right	4406146-01	2 pcs
4.6 Extension slide left	4406146-02	2 pcs
4.7 Drawer mounting	4440702-00	4 pcs
4.12 Divider sheet	4440703-00	2 pcs
4.13 Screw M6S 8x70	7252465-51	2 pcs
4.13 Washer	4410677-00	2 pcs

<b>Set of accessories Lock 20 B</b>		
3.2		
		
Part no. 4440687-00		
<b>Consists of:</b>		<b>Consists of:</b>
3.12 Drawer nest Type 8	4406006-00	1 pcs
3.13 Drawer partition Type 8	4410161-00	16 pcs
3.14 Drawer divider 215 Type 8	4408313-02	24 pcs
3.14 Drawer divider 106 Type 8	4408313-01	48 pcs
4.11 Shelves	660361	2 pcs
4.9 Console left	4440717-01	2 pcs
4.9 Console right	4440717-02	2 pcs
3.10 Shelf divider high 200 x 500	4440566-08	8 pcs
	4440566-10	1 pcs
3.10 Shelf divider high 300 x 500	4440566-11	1 pcs
	4419541-01	8 pcs
3.10 Shelf divider high 400 x 500	4409569-00	8 pcs
	7232366-31	2 pcs
----- Label 75 x 22		
----- Label protector 75 x 22		
----- Screw MSCS 6x12		

# Workshop Cabinets

Lock 5, 10, 16 and 20

---

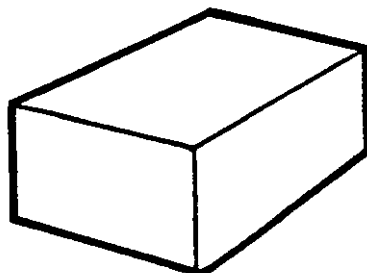


# Workshop Cabinets

## Lock 5, 10, 16 and 20

### Set of accessories Lock 20 C

3.3



Part no. 4440716-00

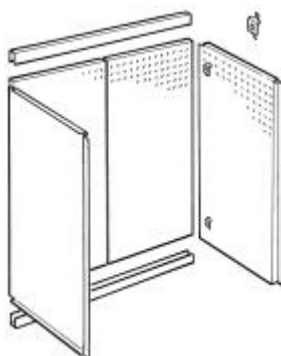
**Consists of:**

4.24 Perforated back panel	4440714-00	2 pcs
4.25 Stiffener back panel	4440723-00	2 pcs
4.26 Perforated side panel	4440713-02	2 pcs
4.27 Lock hook	4440722-00	4 pcs
3.16 Set of small V-holders	4440634-00	2 pcs
3.17 Set of large V-holders	4440725-00	4 pcs
3.12 Drawer nest Type 8	4406006-00	1 pcs
3.13 Drawer partition Type 8	4410161-00	16 pcs
3.14 Drawer divider 215 Type 8	4408313-02	24 pcs
3.14 Drawer divider 106 Type 8	4408313-01	48 pcs
3.10 Shelf divider high 200 x 500	4440566-08	2 pcs
3.10 Shelf divider high 400 x 500	4440566-11	1 pcs
----- Label 22x75	4419541-01	8 pcs
----- Label protector 22x75	4409569-00	8 pcs
----- Screw LKCS 6x12	7232366-31	2 pcs

**Consists of:**

### Set of perforated panels

3.4



Part no. 4507589-31

**Consists of:**

4.24 Perforated back panel	4440714-02	2 pcs
4.25 Stiffener for back panels	4440723-00	2 pcs
4.26 Perforated side panel	4440713-02	2 pcs
4.27 Lock hook	4440722-00	4 pcs

**Consists of:**

# Workshop Cabinets

Lock 5, 10, 16 and 20

---

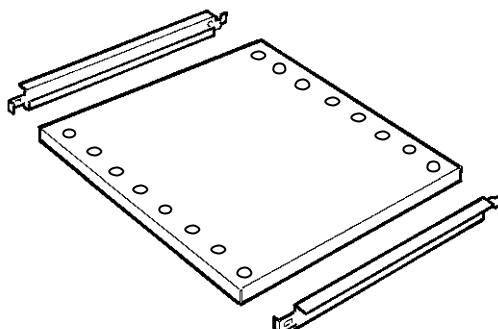


# Workshop Cabinets

## Lock 5, 10, 16 and 20

### Shelf Lock 5 (with consoles)

3.5



Part no. 4507589-32

**Consists of:**

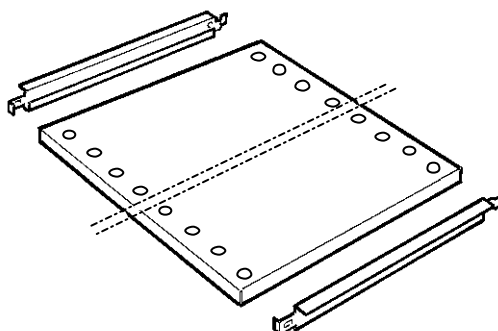
4.10 Shelf Lock 5	4440701-00	1 pcs
4.9 Console left	4440717-01	1 pcs
4.9 Console right	4440717-02	1 pcs

Loading capacity: 50 kg

**Consists of:**

### Shelf Lock 10, 16, 20 (with consoles)

3.6



Part no. 4507589-33

**Consists of:**

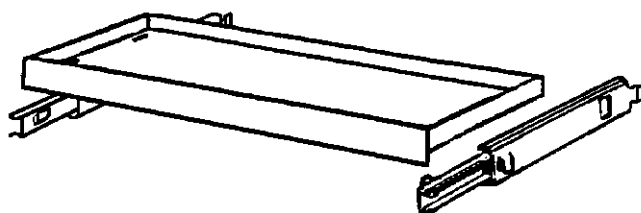
4.11 Shelf Lock 10, 16, 20	660361	1 pcs
4.9 Console left	4440717-01	1 pcs
4.9 Console right	4440717-02	1 pcs

Loading capacity: 100 kg

**Consists of:**

### Pull-out shelf Lock 10, 16, 20 (with slides)

3.7



Part no. 4507589-34

# Workshop Cabinets

## Lock 5, 10, 16 and 20

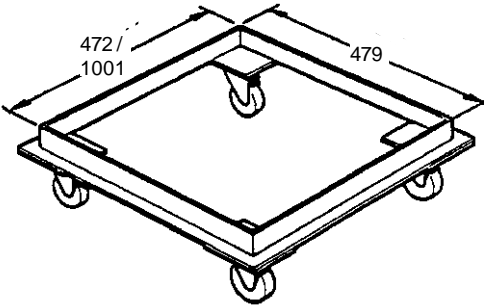
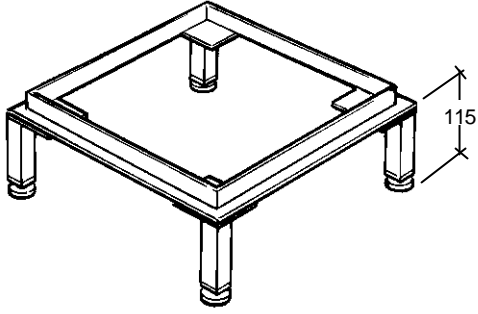


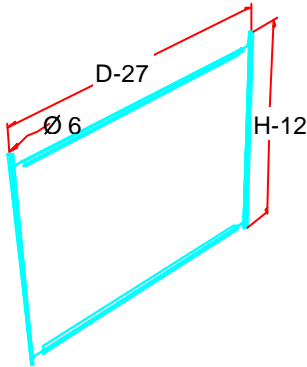
Consists of:		
4.23 Pull-out shelf	4440724-00	1 pcs
4.6 Extension slide left	4406235-01	1 pcs
4.6 Extension slide right	4406235-02	1 pcs
Loading capacity: 60 kg		

Consists of:

# Workshop Cabinets

## Lock 5, 10, 16 and 20

<b>Castor set Lock 5, 10, 16, 20 (Grey RAL 9002)</b>		
3.9		
		
Part no.	Denomination	
4440690-01	Frame with castors Lock 5	
4440690-02	Frame with castors Lock 10, 16, 20	
4440690-03	Frame with adj. feet Lock 5	
4440690-04	Frame with adj. feet Lock 10, 16, 20	
Loading capacity: 460 kg		
<b>Note!!</b> For Lock 16 and 20. Don't use frame with castors in combination with pull out shelves or drawers.		

<b>Shelf divider, high (zinc coated)</b>		
3.10		
		
Part no.	Denomination	
4440566-08	Shelf divider high 200 x 500	
4440566-09	Shelf divider high 250 x 500	
4440566-10	Shelf divider high 300 x 500	
4440566-11	Shelf divider high 400 x 500	
4440566-13	Shelf divider high 600 x 500	
For further information see product manual, shelving system HI-280		

# Workshop Cabinets

Lock 5, 10, 16 and 20

---

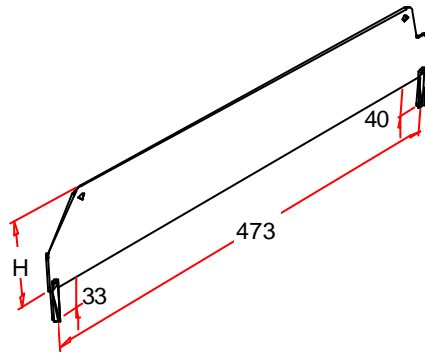


# Workshop Cabinets

## Lock 5, 10, 16 and 20

### Shelf divider, low (Grey RAL 9002)

3.11



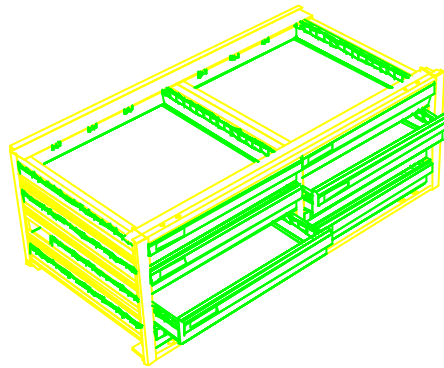
Part no. Denomination

661420 Shelf divider low 90 x 500  
661422 Shelf divider low 140 x 500

For further information see product manual, shelving system HI-280

### Drawer nest Type 8 (Blue NCS 6020-B10G)

3.12



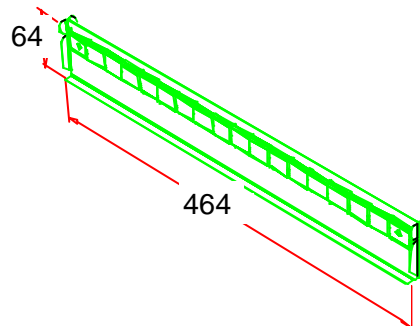
Part no. Denomination

4406006-00 Drawer nest Type 8

For further information see product manual, shelving system HI-280

### Drawer partition Type 8 (Blue NCS 6020-B10G)

3.13



Part no. Denomination

4410161-00 Drawer partition Type 8

# Workshop Cabinets

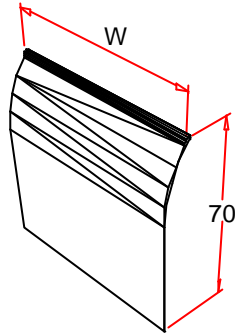
## Lock 5, 10, 16 and 20



For further information see product manual, shelving system HI-280

### Drawer divider Type 8 (zinc coated)

3.14

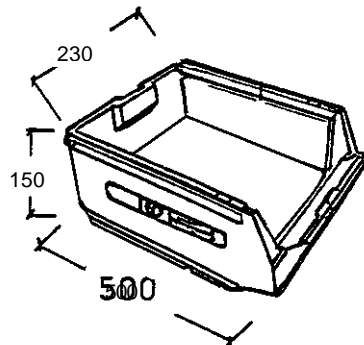


Part no.	Denomination
4408313-01	Drawer divider 106 Type 8
4408313-02	Drawer divider 215 Type 8

For further information see product manual, shelving system HI-280

### Modular bin (Blue NCS 6020-B10G)

3.15

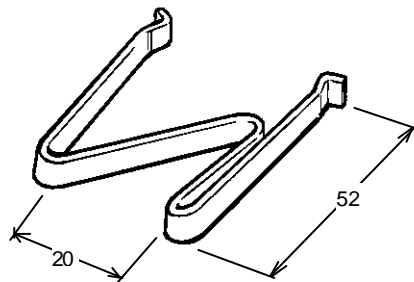


Part no.	Denomination
K2-9069750656	Modular bin 500

For further information see product information storage bins and trays

### Set of small V-holders (Galvanised)

3.16



Part no.	Denomination
----------	--------------

# Workshop Cabinets

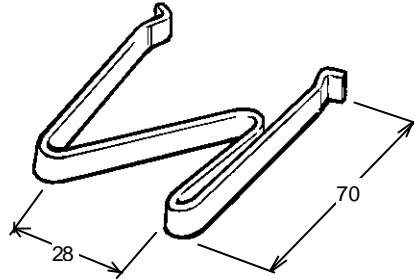
## Lock 5, 10, 16 and 20



4440634-00 Set of small V-holders (10 pcs)	
--	--

<b>Set of large V-holders (Galvanised)</b>	
--	--

3.17



Part no.	Denomination
4440725-00	Set of large V-holders (10 pcs)

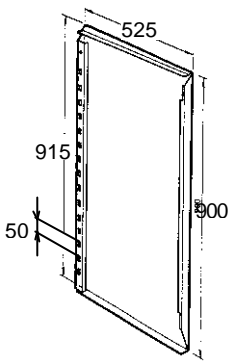
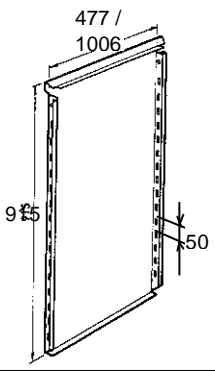
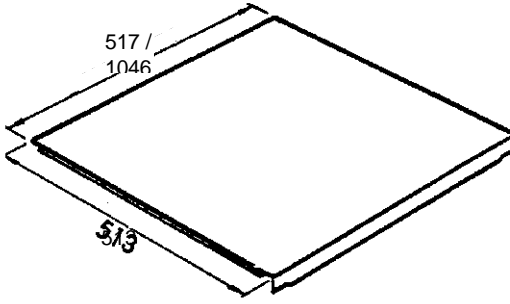
# Workshop Cabinets

## Lock 5, 10, 16 and 20



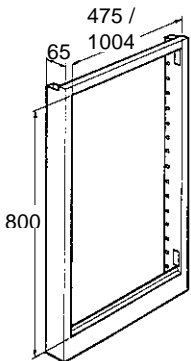
### Section 4

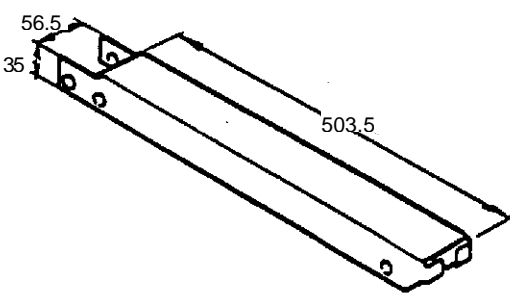
### Parts

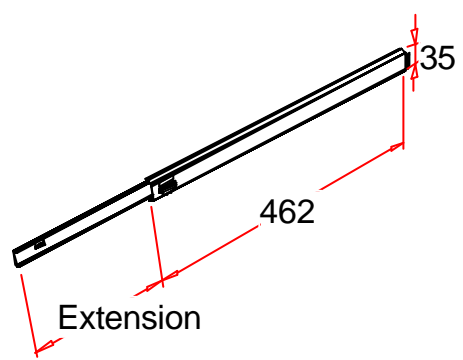
<b>Side panel Lock 5 and 10 (Grey RAL 9002)</b>		
4.1		
		
Part no.	Denomination	
4440692-00	Side panel right	
4440693-00	Side panel left	
<b>Back panel Lock 5 and 10 (Grey RAL 9002)</b>		
4.2		
		
Part no.	Denomination	
4440655-02	Back panel Lock 5	
4440653-00	Back panel Lock 10	
<b>Top Lock 5 and 10 (Grey RAL 9002)</b>		
4.3		
		
Part no.	Denomination	
4440698-01	Top Lock 5	
4440698-02	Top Lock 10	
Loading capacity: 100 kg		

# Workshop Cabinets

## Lock 5, 10, 16 and 20

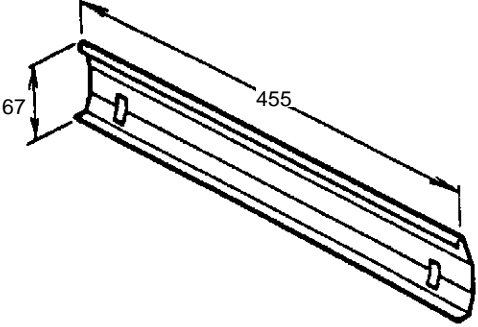
<b>Frame Lock 5 and 10 (Grey RAL 9002)</b>		
4.4		
		
Part no.	Denomination	
4440645-01	Frame Lock 5	
4440645-02	Frame Lock 10	

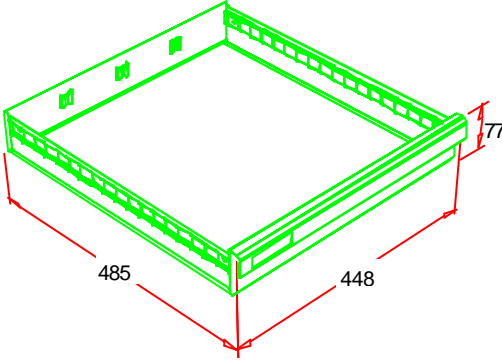
<b>Reinforcer for top Lock 10 (Grey RAL 9002)</b>		
4.5		
		
Part no.	Denomination	
4440638-00	Reinforcer	

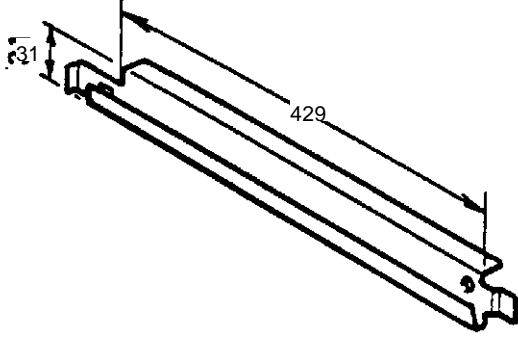
<b>Extension slide (zinc coated)</b>			
4.6			
			
Part no.	Denomination	Loading capacity	Extension
4406146-01	Extension slide	25 kg/pair	370 mm
4406146-02	right Extension	25 kg/pair	370 mm
4406235-01	slide left	60 kg/pair	317 mm
4406235-02	Extension slide left	60 kg/pair	317 mm
	Extension slide right		

# Workshop Cabinets

## Lock 5, 10, 16 and 20

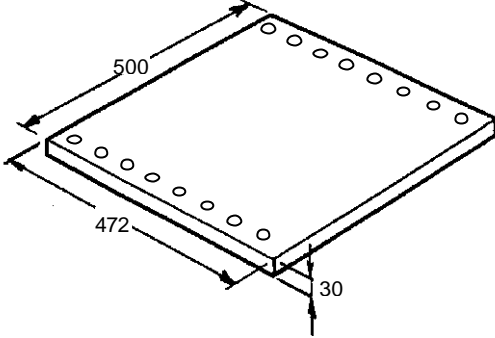
<b>Drawer mounting</b>	<b>(Blue NCS 6020-B10G)</b>	
4.7		
		
Part no.	Denomination	
4440702-00	Drawer mounting	

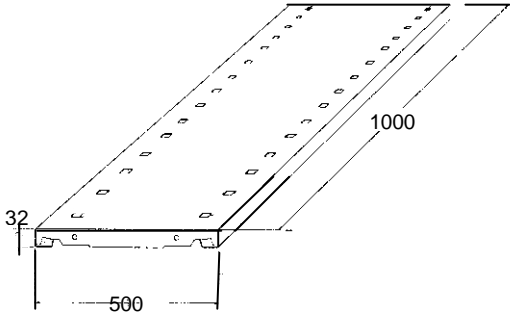
<b>Drawer</b>	<b>(Blue NCS 6020-B10G)</b>	
4.8		
		
Part no.	Denomination	
4405648-01	Drawer	

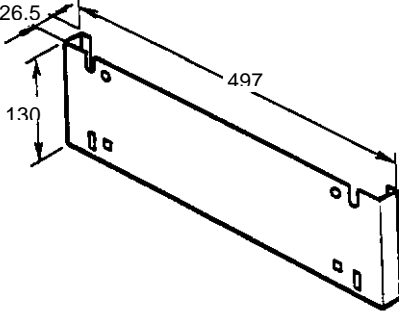
<b>Console coated</b>	<b>(zinc)</b>	
4.9		
		
Part no.	Denomination	
4440717-01	Console left	
4440717-02	Console right	

# Workshop Cabinets

## Lock 5, 10, 16 and 20

<b>Shelf Lock 5 (Grey RAL 9002)</b>		
4.10		
		
Part no.	Denomination	
4440701-00	Shelf 500	
Loading capacity: 50 kg		

<b>Shelf Lock 10, 16 and 20 (Grey RAL 9002)</b>		
4.11		
		
Part no.	Denomination	
660361	Shelf 1000 x 500	
Loading capacity: 100 kg		
For further information see product manual, shelving system S90		

<b>Divider sheet for Lock 10 (Grey RAL 9002)</b>		
4.12		
		

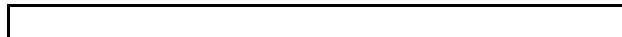
# Workshop Cabinets

## Lock 5, 10, 16 and 20

Part no.	Denomination
4440703-00	Divider sheet



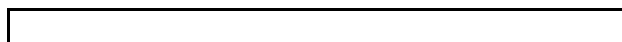
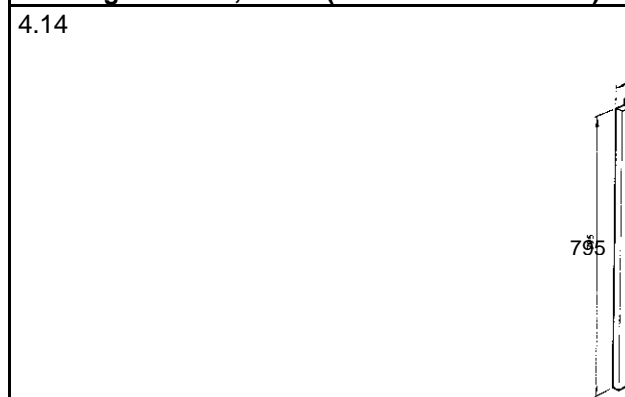
### Screw and washer for divider sheet



Part no.	Denomination
7252465-51	Screw M6S 8x70
4410677-00	Washer



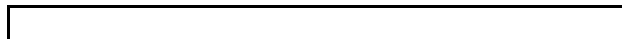
### Door right Lock 5, 10 (Blue NCS 6020-B10G)



Part no.	Denomination
4440695-00	Door right



### Door left Lock 10 (Blue NCS 6020-B10G)



Part no.	Denomination
4440697-00	Door left



# Workshop Cabinets

Lock 5, 10, 16 and 20

---

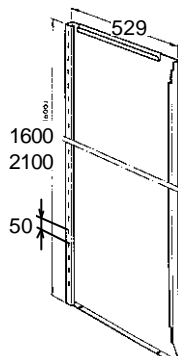


# Workshop Cabinets

## Lock 5, 10, 16 and 20

### Side panel Lock 16 and 20 (Grey RAL 9002)

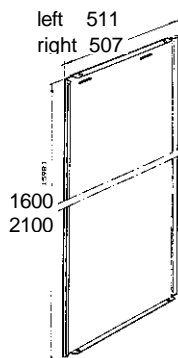
4.16



Part no.	Denomination
4440657-01	Side panel 20 right
4440658-01	Side panel 20 left
4440657-02	Side panel 16 right
4440658-02	Side panel 16 left

### Back panel Lock 16 and 20 (Grey RAL 9002)

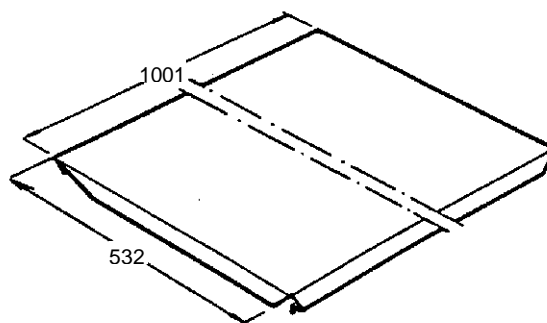
4.17



Part no.	Denomination
4440659-01	Back panel 20 left
4440660-01	Back panel 20 right
4440659-02	Back panel 16 left
4440660-02	Back panel 16 right

### Top Lock 16 and 20 (Grey RAL 9002)

4.18



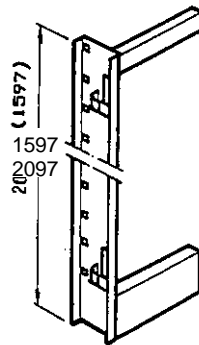
Part no.	Denomination
4440661-00	Top 16, 20

# Workshop Cabinets

## Lock 5, 10, 16 and 20

### Frame part Lock 16 and 20 (Grey RAL 9002)

4.19

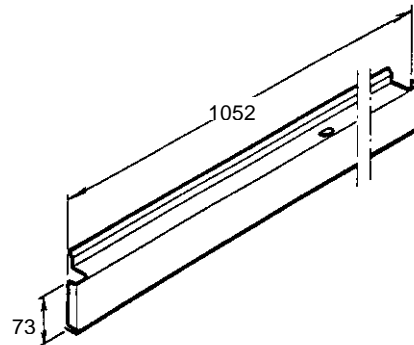


Part no. Denomination

4440712-01 Frame part 20 right  
 4440712-02 Frame part 20 left  
 4440712-03 Frame part 16 right  
 4440712-04 Frame part 16 left

### Base Lock 16 and 20 (Grey RAL 9002)

4.20

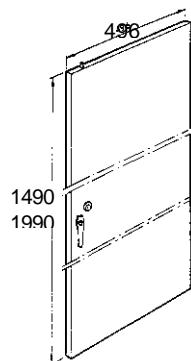


Part no. Denomination

4440637-00 Base

### Door right Lock 16, 20 (Blue NCS 6020-B10G)

4.21



Part no. Denomination

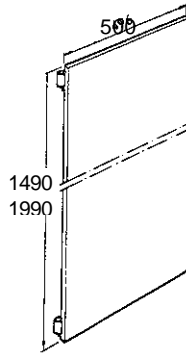
4440662-01 Door right 20  
 4440662-02 Door right 16

# Workshop Cabinets

## Lock 5, 10, 16 and 20

### Door left Lock 16, 20 (Blue NCS 6020-B10G)

4.22

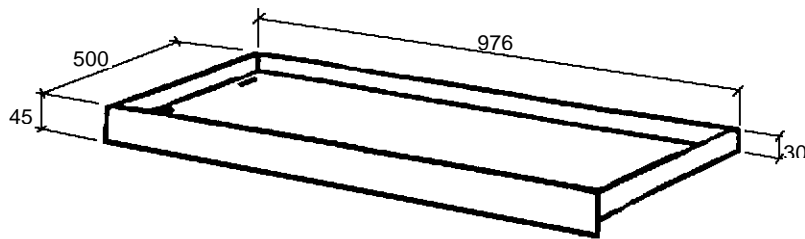


Part no. Denomination

4440639-01 Door left 20  
4440639-02 Door left 16

### Pull-out shelf Lock 10, 16, 20 (Grey RAL 9002)

4.23



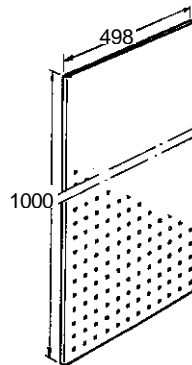
Part no. Denomination

4440724-00 Pull out shelf

Loading capacity: 60 kg

### Perforated back panel (Blue NCS 6020-B10G)

4.24



Holes: 9 x 9 mm  
Pitch: 34 mm

Part no. Denomination

4440714-02 Perforated back panel

Two panels are needed for a complete tool back panel

# Workshop Cabinets

Lock 5, 10, 16 and 20

---

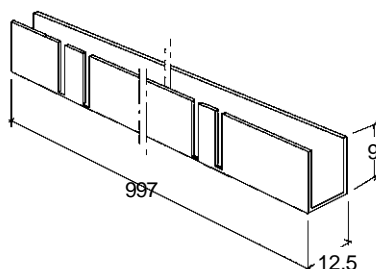


# Workshop Cabinets

## Lock 5, 10, 16 and 20

### Stiffener for back panels (Blue NCS 6020-B10G)

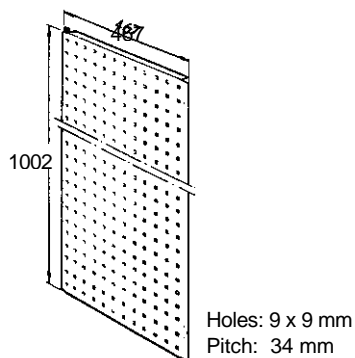
4.25



Part no.	Denomination
4440723-00	Stiffener
Two stiffeners are needed for a complete back panel.	

### Perforated side panel (Blue NCS 6020-B10G)

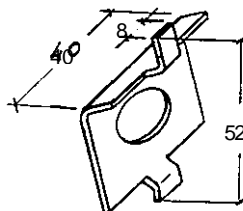
4.26



Part no.	Denomination
4440713-02	Perforated side panel

### Lock hook for tool panel (Blue NCS 6020-B10G)


4.27



Part no.	Denomination
4440722-00	Lock hook
Four hooks secure the back panel into position	

# Workshop Cabinets

## Lock 5, 10, 16 and 20

Touch up paint	
4.28	
	
Part no.	Denomination
895103-027	Touch up paint spray 400 g Blue
895101-032	Touch up paint spray 400 g Grey

# Workshop Cabinets

## Lock 5, 10, 16 and 20



### Section 5

### Dimensions

Cabinet	Width	Height	Depth	Weight kg
Lock 5	525	915	525	28,5
Lock 10	1054	915	525	45
Lock 16	1054	1600	530	69,5
Lock 20	1054	2100	530	85

### Section 6

### Part list

Part no.	Denomination	Figure no.	Denomination local language
660361	Shelf 1000 x 500	4.11	
661420	Shelf divider low 90 x 500	3.11	
661422	Shelf divider low 140 x 500	3.11	
4405648-01	Drawer	4.8	
4406006-00	Drawer nest 8	3.12	
4406146-01	Extension slide right (25 kg)	4.6	
4406146-02	Extension slide left (25 kg)	4.6	
4406235-01	Extension slide left (60 kg)	4.6	
4406235-02	Extension slide right (60 kg)	4.6	
4408313-01	Drawer divider 106 Type 8	3.14	
4408313-02	Drawer divider 215 Type 8	3.14	
4409569-00	Label protector 75 x 22	----	
4410161-00	Drawer partition Type 8	3.13	
4410677-00	Washer	4.13	
4419541-01	Label 75 x 22 (10 pcs)	----	
4440566-08	Shelf divider high 200 x 500	3.10	
4440566-09	Shelf divider high 250 x 500	3.10	
4440566-10	Shelf divider high 300 x 500	3.10	
4440566-11	Shelf divider high 400 x 500	3.10	
4440566-13	Shelf divider high 600 x 500	3.10	
4440634-00	Set of small V-holders	3.16	
4440635-00	Workshop Cabinet Lock 20	2.11	
4440637-00	Bace	4.20	
4440638-00	Reinforcer	4.5	
4440639-01	Door left Lock 20	4.22	
4440639-02	Door left Lock 16	4.22	
4440645-01	Frame Lock 5	4.4	
4440645-02	Frame Lock 10	4.4	
4440653-00	Back panel Lock 10	4.2	
4440655-02	Back panel Lock 5	4.2	
4440657-01	Side panel Lock 20 right	4.16	
4440657-02	Side panel Lock 16 right	4.16	
4440658-01	Side panel Lock 20 left	4.16	
4440658-02	Side panel Lock 16 left	4.16	
4440659-01	Back panel Lock 20 left	4.17	
4440659-02	Back panel Lock 16 left	4.17	
4440660-01	Back panel Lock 20 right	4.17	

# Workshop Cabinets

## Lock 5, 10, 16 and 20



4440660-02	Back panel Lock 20 right	4.17
4440661-00	Topp Lock 16, 20	4.18
4440662-01	Door right Lock 20	4.21
4440662-02	Door right Lock 16	4.21
4440687-00	Set of accessories Lock 20 B	3.2
4440690-01	Frame with castors Lock 5	3.9
4440690-02	Frame with castors Lock 10,16,20	3.9
4440690-03	Frame with adj. feet Lock 5	3.9
4440690-04	Frame with adj. feet Lock 10,16,20	3.9
4440692-00	Side panel right Lock 5, 10	4.1
4440693-00	Side panel left Lock 5, 10	4.1
4440695-00	Door right Lock 5, 10	4.14
4440697-00	Door left Lock 10	4.15
4440698-01	Top Lock 5	4.3
4440698-02	Top Lock 10	4.3
4440701-00	Shelf Lock 5	4.10
4440702-00	Drawer mounting	4.7
4440703-00	Divider sheet	4.12
4440712-01	Frame part 20 right	4.19
4440712-02	Frame part 20 left	4.19
4440712-03	Frame part 16 right	4.19
4440712-04	Frame part 16 left	4.19
4440713-02	Perforated side panel	4.26
4440714-02	Perforated back panel	4.24
4440716-00	Set of accessories Lock 20 C	3.3
4440717-01	Console left	4.9
4440717-02	Console right	4.9
4440718-00	Workshop Cabinet Lock 16	2.10
4440719-00	Workshop Cabinet Lock 5	2.1
4440720-00	Workshop Cabinet Lock 10	2.5
4440721-00	Set of drawers Lock 5-10	3.1
4440722-00	Lock hook	4.27
4440723-00	Stiffener back panel	4.25
4440724-00	Pull-out shelf	4,23
4440725-00	Set of large V-holders	3.17
4507589-21	Workshop Cabinet Lock 5 B	2.2
4507589-22	Workshop Cabinet Lock 5 C	2.3
4507589-23	Workshop Cabinet Lock 5 D	2.4
4507589-24	Workshop Cabinet Lock 10 A	2.5
4507589-25	Workshop Cabinet Lock 10 B	2.6
4507589-26	Workshop Cabinet Lock 10 C	2.7
4507589-27	Workshop Cabinet Lock 10 D	2.8
4507589-28	Workshop Cabinet Lock 10 E	2.9
4507589-29	Workshop Cabinet Lock 20 B	2.12
4507589-30	Workshop Cabinet Lock 20 C	2.13
4507589-31	Set of perforated panels	3.4
4507598-32	Shelf Lock 5 (with consoles)	3.5
4507598-33	Shelf Lock 10,16,20 (with consoles)	3.6
4507589-34	Pull-out shelf (with slides)	3.7
7232366-31	Screw MSCS 6 x 12	----
7252465-51	Screw M6S 8 x 70	4.13
7312316-01	Nut M6M 6	----
K2-9069750656	Modular bin 500	3.15